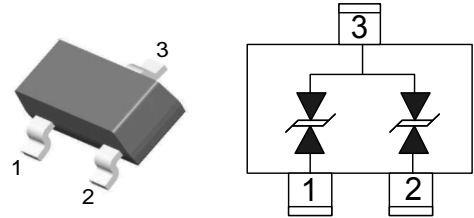


Features

- Protects In-vehicle networks line
- High trigger voltage
- Low capacitance: $C_j < 1.5\text{pF}$
- Response Time is Typically $< 1\text{ns}$
- Solid-state Silicon-avalanche Technology
- Low Leakage current
- IEC 61000-4-2 $\pm 30\text{KV}$ contact $\pm 30\text{KV}$ air
- IEC 61000-4-4 (EFT) 40A (5/50ns)
- IEC 61000-4-5 (Lightning) 2A (8/20 μs)
- AEC-Q101 qualified



Mechanical Data

- **Case:** SOT-23 (plastic package).
Lead free; RoHS compliant; Halogen free
- **Molding Compound Flammability Rating:**
UL 94 V-0
- **Terminals:** High temperature soldering guaranteed:
260 °C/10 sec. at terminals

Applications

- Open Alliance IEEE 100/1000BASE-T1 Ethernet
- Low-Voltage Differential Signaling(LVDS) automotive

Absolute Maximum Ratings

Ratings at 25 °C, ambient temperature unless otherwise specified

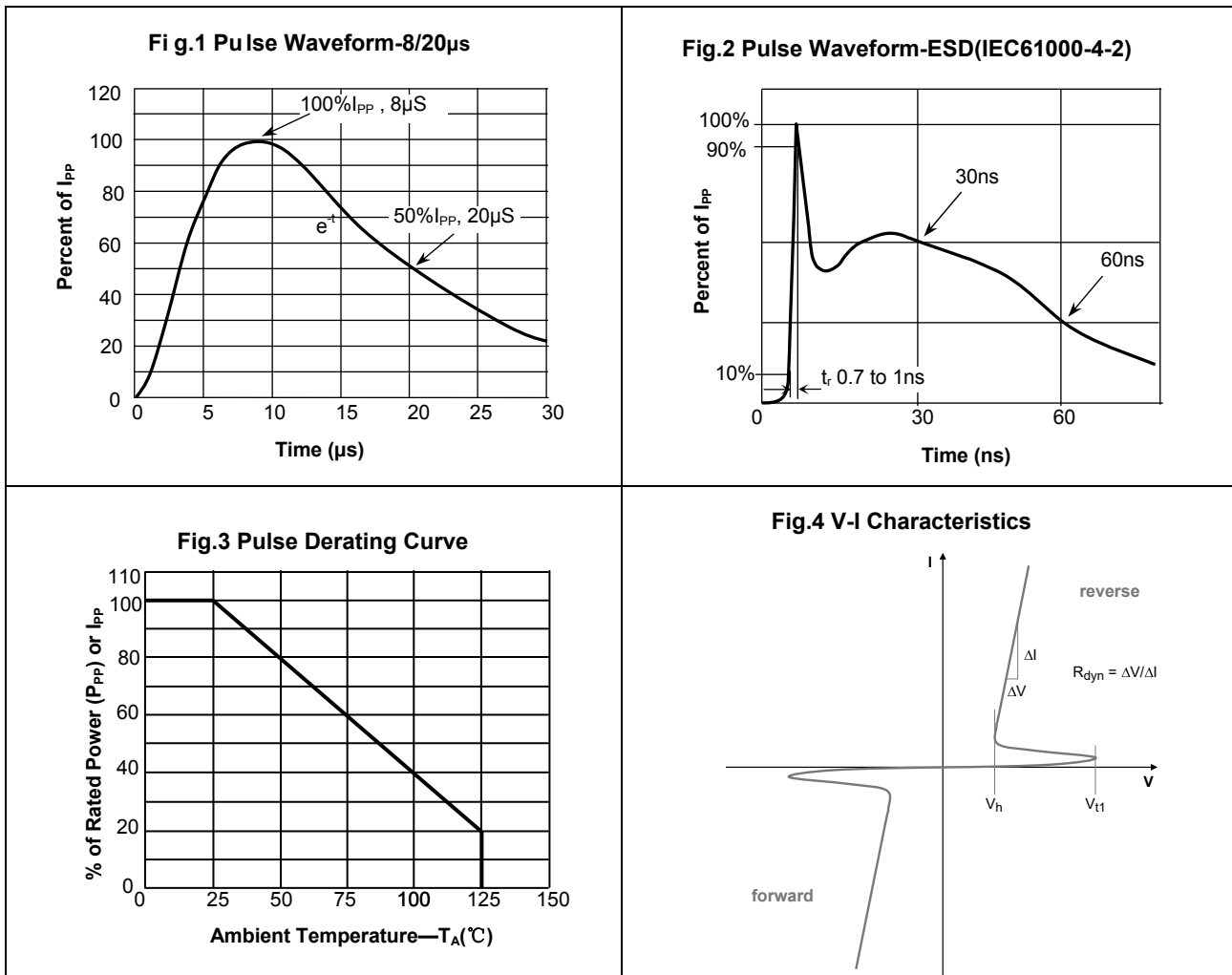
Parameter	Symbol	Value	Unit
ESD contact/air discharge (IEC-61000-4-2)	V_{ESD}	30/30	kV
Peak Pulse Current ($T_P = 8/20\mu\text{s}$)	I_{PP}	2	A
Junction Temperature	T_J	-55 to +125	°C
Storage temperature	T_{STG}	-55 to +150	°C

Electrical Characteristics

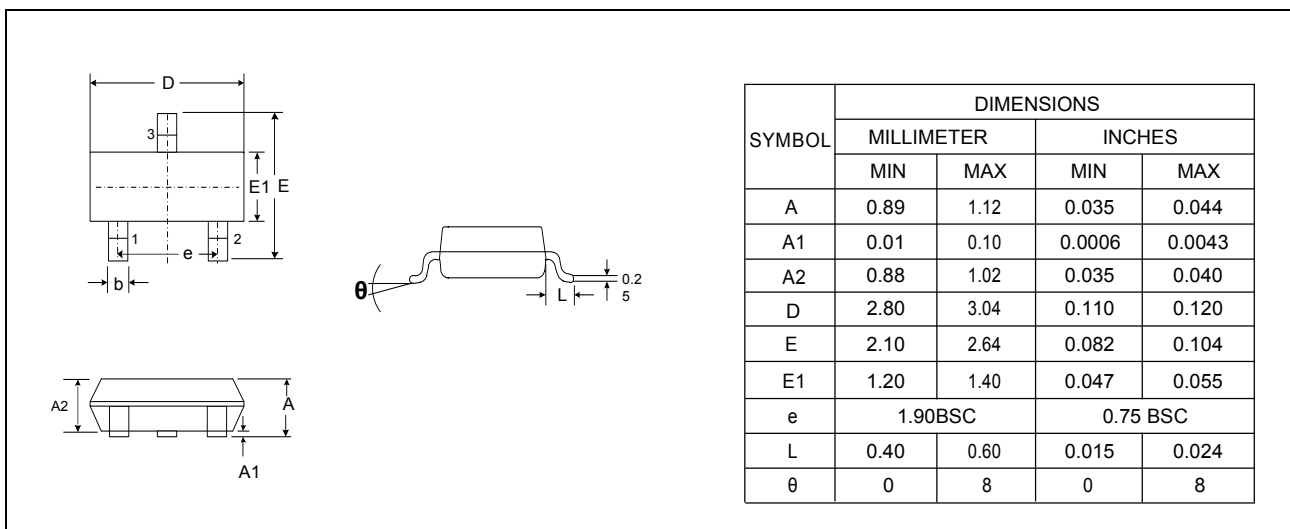
($T_A = 25\text{ °C}$ unless otherwise specified)

Parameter	Symbol	Condition	Min	Typ	Max	Unit
Reverse stand-off Voltage	V_{RWM}				24	V
Reverse Breakdown Voltage	V_{BR}	$I_T = 1\text{mA}$	100			V
Reverse Leakage Current	I_R	$V_{RWM} = 24\text{V}$			0.5	μA
Junction Capacitance	C_J	$V_R = 0\text{V}, f = 1\text{MHz}$		1.2		pF

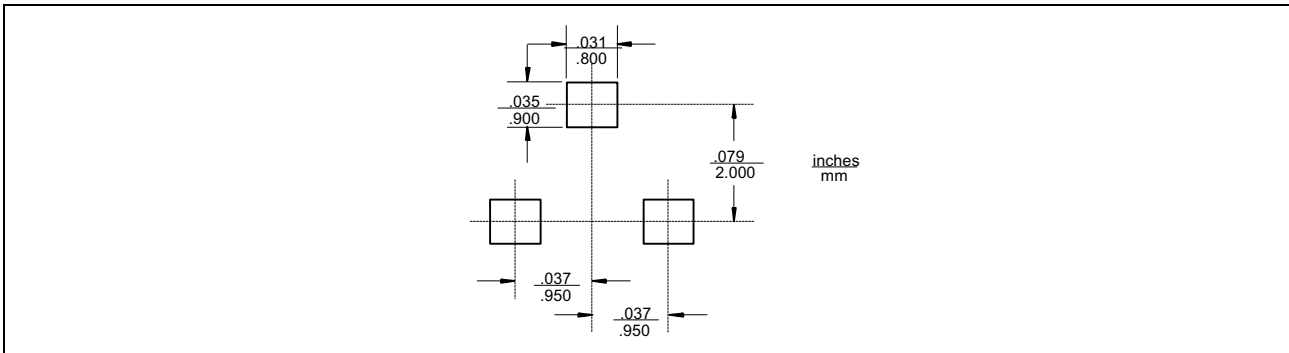
Typical Characteristics ($T_{amb} = 25\text{ }^{\circ}\text{C}$ unless otherwise specified)



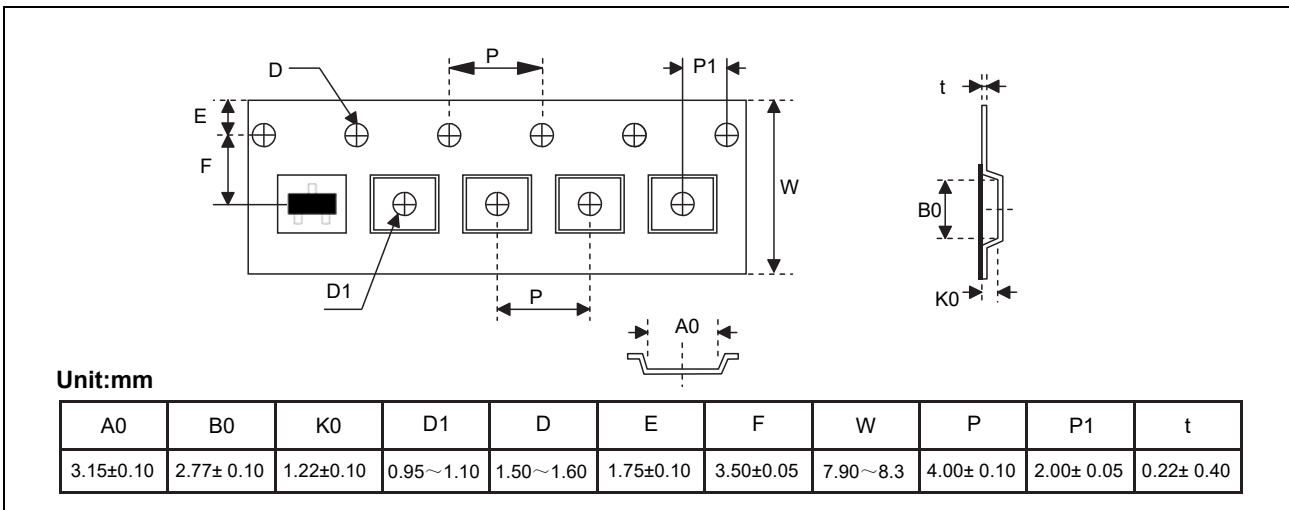
Package Dimensions



Pad Dimensions



Pad Dimensions



Marking



Ordering information

Order code	Package	Packaging option	Base quantity	Packaging specification
YELST232402AH	SOT-23	Tape and reel	3000pcs / reel	EIA STD RS-481